

ELECTION COMMISSION OF INDIA

NIRVACHAN SADAN, ASHOKA ROAD, NEW DELHI-110001

No.51/8/7/2009-EMS

Dated: 15th April, 2009

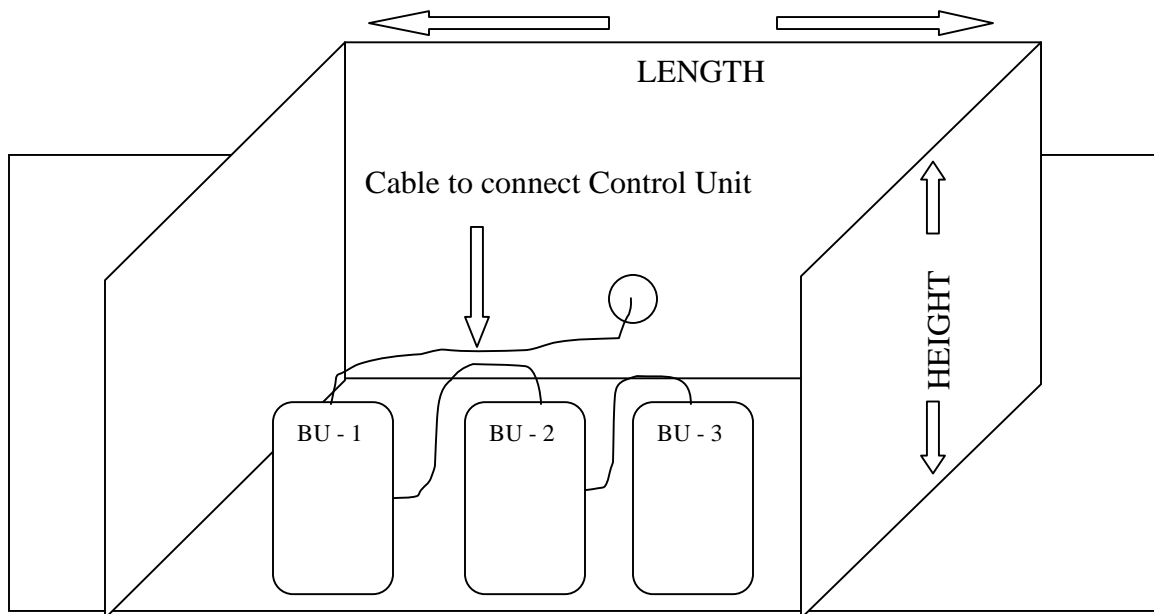
To

**The Chief Electoral Officers of
All States and Union Territories.**

Subject: Display of Ballot Units at Dispersal Centre for Demo.

Sir,

I am directed to state that multiple Ballot Units are to be used in such constituencies where number of contesting candidates has exceeded 16. Wherever more than one Ballot Units are utilized, a Demonstration on using multiple Ballot Units should be arranged at the 'Dispersal Centre' for all the Presiding Officers/Sector Officers so that there may be no confusion while connecting the multiple Ballot Units at Polling Stations (as in the figure below).



While setting up the EVMs for mock poll the Presiding Officers may obtain the assistance of Sector Officers in case of any difficulty.

Sector Officers should be instructed to ensure the cascading of multiple Ballot Units in the voting compartment (as shown above) of all the polling stations under their jurisdiction without fail before the commencement of poll.

Yours faithfully,

(K.N. Bhar)
Under Secretary